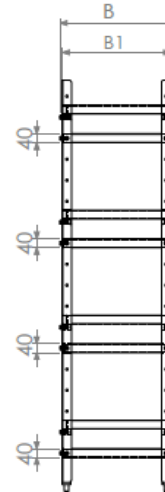
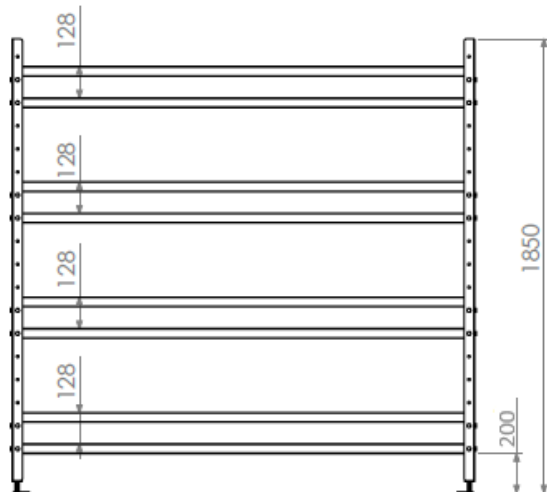
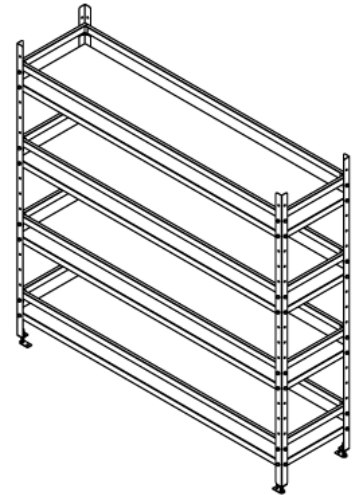
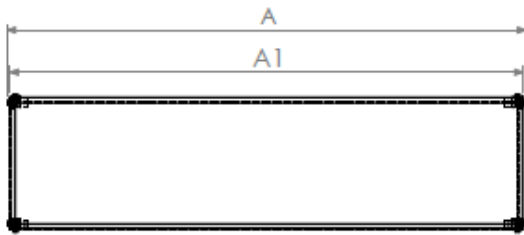


MODULER SHELVING (4 LAYERS)

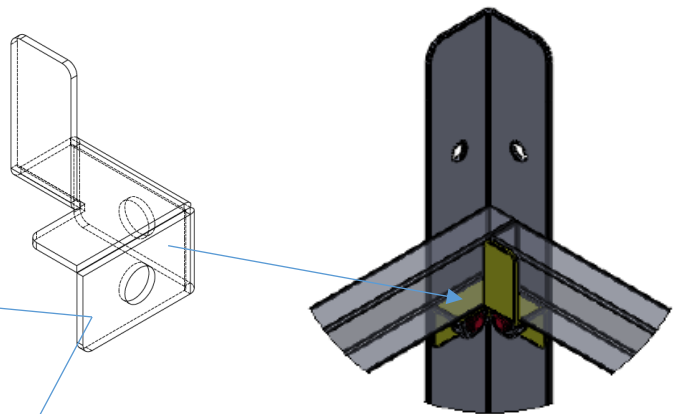
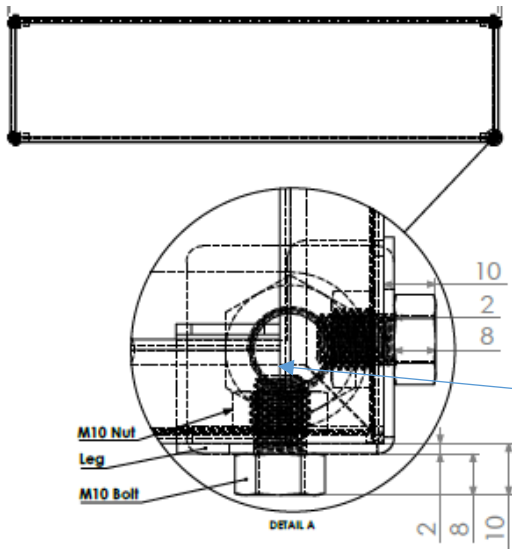


Model – Dz0300

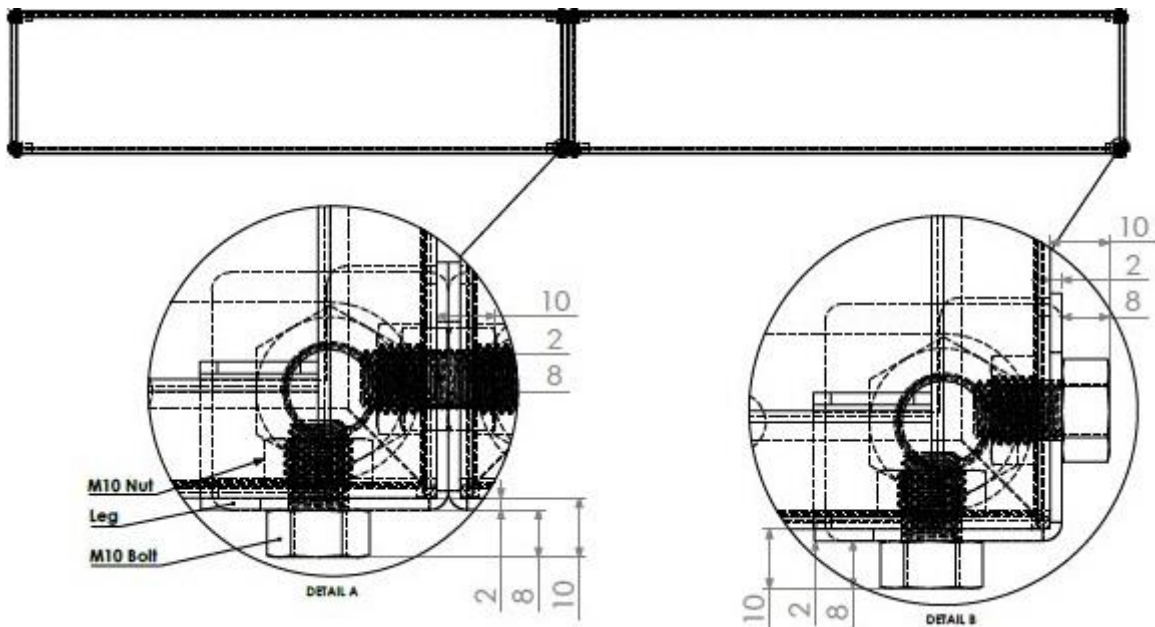
- 304 Quality 18/8 CrNi stainless steel material.
- 4-6-8 pcs. of adjustable plastic legs to adjust the height of the unit according to shape of the ground.
- Stainless steel rolling bars.
- Flanged legs as option.
- Adjustable shelve height.



Model No	A	A1	B	B1
0300-1100-250	1150	1130	250	230
0300-0900-400 0300-1900-400	900 1900	880 1880	400	380
0300-1400-650	1400	1380	650	630

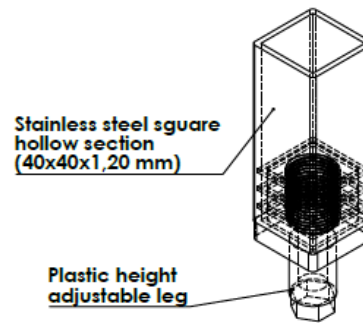
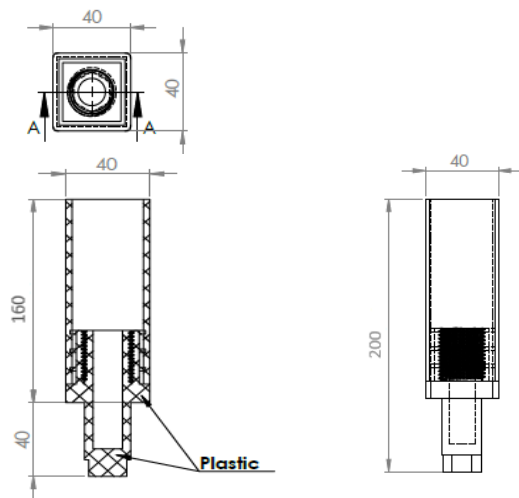


Rolling bar fixture front/side



Standart Legs:

1. Plastic height adjustable



Leg Options:

1. Plastic height adjustable + stainless steel flange
2. Stainless steel height adjustable + stainless steel flange

