



WASHER-EXTRACTOR, 6 KG LAGOON

Model: WH6-6LAC

Article no: 9863430120

Power supply: 208V 3Ph ~60Hz

The WH6-6 Lagoon is the perfect complement for any dry-cleaning operation. A Lagoon washer is a sustainable and eco-friendly water-based "dry-cleaning." Specialized detergents and dedicated programs take the cleaning to a new level on every type of fabric. Lagoon washers are Woolmark-approved because of their delicate and gentle handle on fine textiles and wools labeled garments marked dry-clean only.

With a Lagoon washer and dryer, you can offer your customer dry to dry in 1-hour. Smart chemicals and processes mean garments are fully dried in the dryer -no hang-drying is needed.

The washer has a certified ergonomic design with a human-centered approach for outstanding user experience. Compass Pro® microprocessor offers a large display and one control knob for easy program and language selection and quick choice and option buttons for the most frequently used wash programs. Four compartment detergent box for flexibility of manual dosing of powder or liquid detergent. Professional door with gasket and sturdy hinges built for heavy-duty operation, hygiene, and long-term savings.

The washer has programs optimized for the lowest water, energy, and detergent consumption. The Automatic Savings weighs the linen and adjusts the water level, saving water and energy.

Monitoring of the status of the equipment and performance from anywhere, allowing to take action to improve the business. Connectable to OnE Laundry, the personal assistant for hygiene validation, process management, and revenue management.

MAIN FEATURES

- The Line 6000 series are the first washer/dryers to receive certification in ergonomic design
- Silver grey powder painted galvanized steel exterior
- Compass Pro® microprocessor
- Four compartment detergent box
- Heavy-duty operation door
- High extraction force
- Automatic savings of water and energy
- Power balance
- Connectable to "OnE Laundry"
- Manual + efficient detergent dosing

WH6-6LAC, 9863430120

15-01-24 (17:33)

Subject to change without notice
For correct installation, refer to the installation manual

Model Number Specific	WH6-6LAC
Voltage (V)	208
Phase	3
Frequency (Hz)	60
Loading (kW)	4,4
Capacity (kg)	6
Capacity, filling factor	1:9
Capacity, filling factor (kg)	6
Capacity, water evaporation, max (L/h)	17
Width, net (mm)	595
Depth, net (mm)	681
Height, net (mm)	832
Weight, net (kg)	100
Weight, gross (kg)	115
Volume, net (m3)	0,34
Volume, gross (m3)	0,44
Connection Cable, length (m)	0
Plug type	None
Automatic weighing system	Yes
Cold water inlet, diameter (")	3/4
Detergent box	Front
Door Hanging	Right
Drain pipe, diameter (mm)	50
Drum type	Stainless steel
Energy consumption, Normal, 60°C (kWh)	0,95
Exterior	Colored
G factor	425
Installation, type	Floor model
Noise level <(dB)	70
Other general information	Heating power 4,4 kW.
Prepared for dosing system	No
Spin, max (rpm)	1300
SS Front panel	No
Stackable	Yes

Touch control	No
Volume, drum (L)	53
Water consumption, Normal, 60°C (L)	39
Water pressure, max (Bar)	10
Water pressure, min (Bar)	0,5

INCLUDED IN DELIVERY

Drain hose Ø 50mm L=440mm. Water hoses are available as accessories.

Loipart AB (HQ), **Sweden**
Tel. +46 313 920 100, loipart@loipart.se

LMG Finland oy, **Finland**
+358 40 664 6680, lmg@lmg.fi

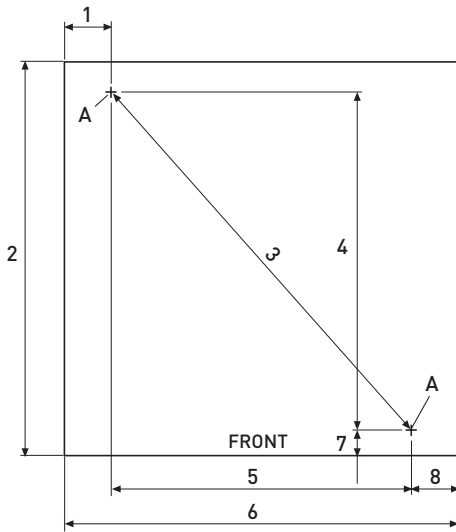


Loipart USA inc. **USA**
Tel. +1 954 530 5276, loipartusa@loipart.com

Loipart SEA Pte Ltd, **Singapore**
Tel. +65 674 99 100, contact@loipart.sg

Visit us at www.loipart.com

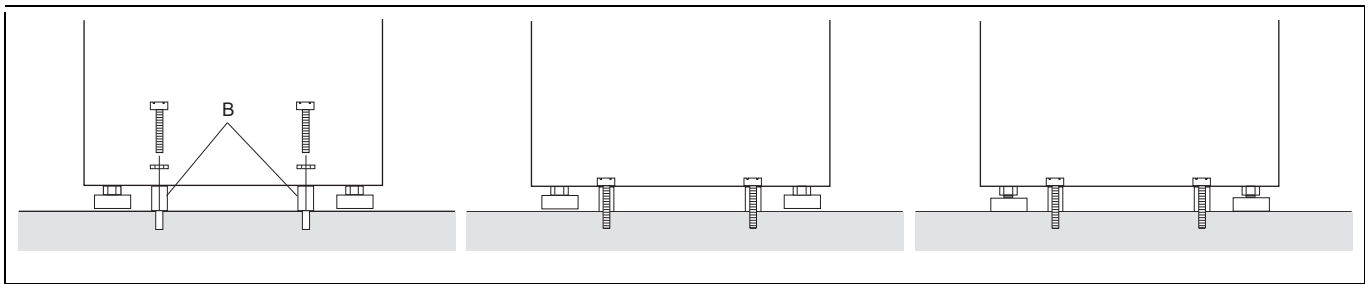
MARINE INSTALLATION



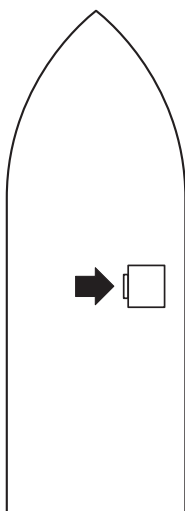
(mm)

1	2	3	4	5	6	7	8
70	590	676	506	450	590	40	70

To ensure steadiness of the machine; the machine must be fastened to the floor.
 Mark and drill two holes (A) Ø 8.5 mm.
 Thread the holes with M10 bolts.
 Thread up the four feet of the machine as much as possible.
 Place the machine at its site.
 Place the spacers (B) between the machine and the floor.
 Tighten the machine to the floor with the two bolts.
 Adjust the feet of the machine to the floor and lock them with the nuts.



POSITION ON VESSEL



The unit shall be placed as in the figure.