



WASHER-EXTRACTOR, 6 KG, MANUAL & AUTOMATIC DOSING

Model: WH6-6

Article no: 9863430069

Power supply: 230V 1Ph ~60Hz

The WH6-6 washer-extractor has a certified ergonomic design with a human-centered approach for outstanding user experience. The Compass Pro® microprocessor offers a large display and one control knob for easy program and language selection and quick choice and option buttons for the most frequently used wash programs. Four compartment detergent box for flexible manual dosing of powder or liquid detergent. Professional door with gasket and sturdy hinges built for heavy-duty operation, hygiene, and long-term savings.

The washer has programs optimized for the lowest water, energy, and detergent consumption. Automatic Savings weighs the linen and adjusts the water level to the amount of linen, saving water and energy at less than full load.

Monitoring of the status of the equipment and performance from anywhere, allowing to take action to improve the business. Connectable to OnE Laundry, the personal assistant for hygiene validation, process management, and revenue management.

MAIN FEATURES

- Prepared for automatic dosing (5 liquid signals) and extra I/O board
- The Line 6000 series are the first washer/dryers to receive certification in ergonomic design
- Silver grey powder-painted galvanised steel exterior
- Compass Pro® microprocessor
- 4-compartment detergent box
- Heavy-duty operation door
- High extraction force
- Automatic savings of water and energy
- Power balance
- Connectable to "OnE Laundry"

WH6-6, 9863430069

15-01-24 (17:31)

Subject to change without notice
For correct installation, refer to the installation manual

TECHNICAL DATA

WH6-6, 9863430069, 15-01-24 (17:31)

| | |
|---|-----------------|
| Model Number Specific | WH6-6 |
| Voltage (V) | 230 |
| Phase | 1 |
| Frequency (Hz) | 60 |
| Loading (kW) | 2,4 |
| Fuse (A) | 16 |
| IP Class | X4 |
| Capacity (kg) | 6 |
| Capacity, filling factor | 1:9 |
| Capacity, filling factor (kg) | 6 |
| Capacity, water evaporation, max (L/h) | 160 |
| Width, net (mm) | 595 |
| Depth, net (mm) | 681 |
| Height, net (mm) | 832 |
| Weight, net (kg) | 100 |
| Weight, gross (kg) | 115 |
| Volume, net (m3) | 0,34 |
| Volume, gross (m3) | 0,44 |
| Connection Cable, length (m) | 0 |
| Plug type | None |
| Automatic weighing system | Yes |
| Certifications | CE |
| Cold water inlet, diameter (") | 3/4 |
| Detergent box | Front |
| Door Hanging | Right |
| Drain pipe, diameter (mm) | 50 |
| Drain pump | No |
| Drum type | Stainless steel |
| Energy consumption (kW/h) | 0,95 |
| Energy consumption, Normal, 60°C (kWh) | 0,95 |
| Exterior | Colored |
| G factor | 425 |
| Installation, type | Floor model |
| Noise level <(dB) | 70 |

Loipart AB (HQ), Sweden
Tel. +46 313 920 100, loipart@loipart.se

LMG Finland oy, Finland
+358 40 664 6680, lmg@lmg.fi



Loipart USA inc, USA
Tel. +1 954 530 5276, loipartusa@loipart.com

Loipart SEA Pte Ltd, Singapore
Tel. +65 674 99 100, contact@loipart.sg

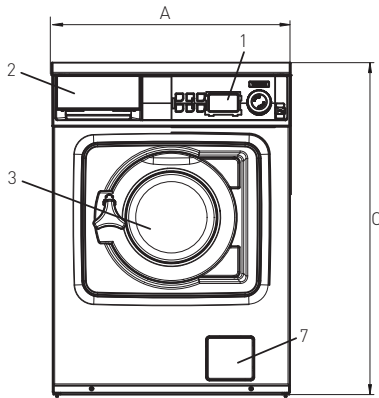
Visit us at www.loipart.com

| | |
|--|----------------------|
| Other general information | Heating Power 2.2 kW |
| Prepared for dosing system | Yes |
| Spin, max (rpm) | 1300 |
| SS Front panel | No |
| Stackable | Yes |
| Volume, drum (L) | 53 |
| Water consumption, Normal, 60°C (L) | 39 |
| Water pressure, max (Bar) | 500 |
| Water pressure, min (Bar) | 200 |

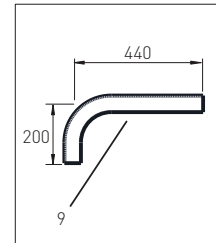
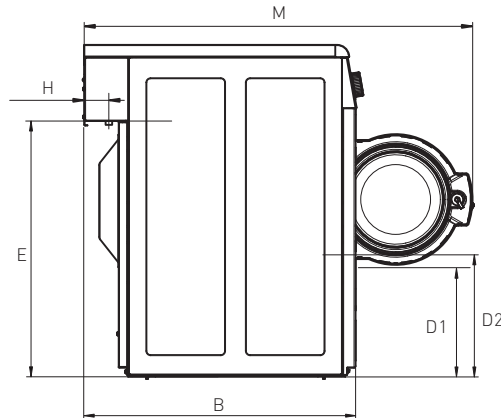
INCLUDED IN DELIVERY

Drain hose Ø 50 mm L=440mm. Water hoses are available as accessories.

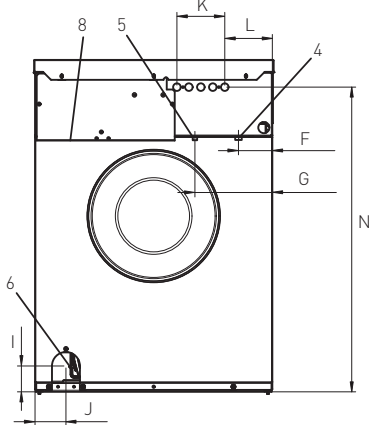
FRONT



SIDE



BACK



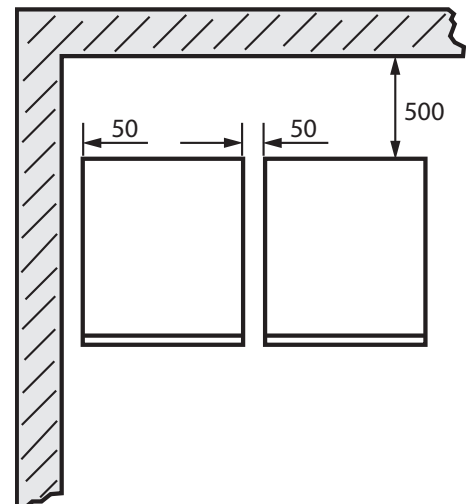
1. Operating panel
2. Detergent container
3. Door opening, Ø 255 mm
4. Cold water
5. Hot water
6. Drain valve
7. Drain pump (depending on model, see technical data)
8. Electrical connection
9. Drain hose Ø 50 mm

Dimensions (mm)

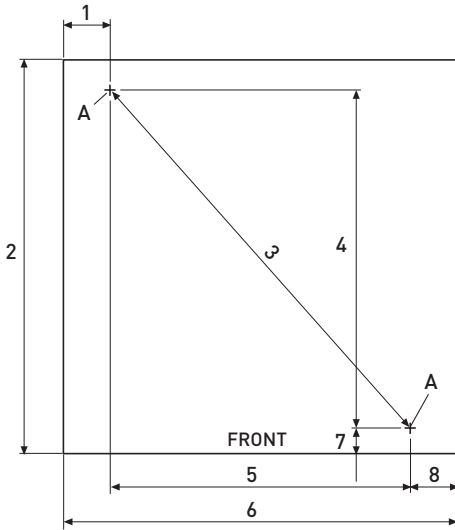
| A | B | C | D1 | D2 | E | F | G | H | I | J | K | L | M | N |
|-----|-----|------|-----|-----|-----|----|-----|----|----|----|-----|-----|-----|-----|
| 595 | 681 | 832* | 284 | 310 | 641 | 84 | 194 | 48 | 65 | 78 | 120 | 119 | 974 | 764 |

*Adjustable height 25mm

Install the machine close to a floor drain or open drain. The machine should be positioned so that there is plenty of room for working, both for the user and service personnel. The figure shows minimum distance to a wall and/or other machines. Failure to respect the prescribed distances will prevent easy access for maintenance and service operations.



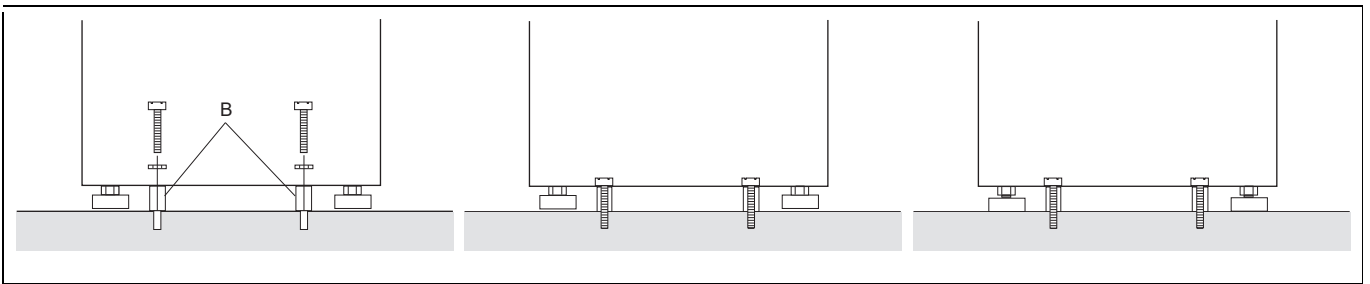
MARINE INSTALLATION



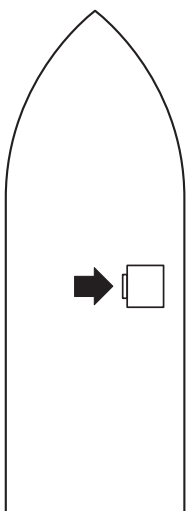
(mm)

| 1 | 2 | 3 | 4 | 5 | 6 | 7 | 8 |
|----|-----|-----|-----|-----|-----|----|----|
| 70 | 590 | 676 | 506 | 450 | 590 | 40 | 70 |

To ensure steadiness of the machine; the machine must be fastened to the floor.
 Mark and drill two holes (A) Ø 8.5 mm.
 Thread the holes with M10 bolts.
 Thread up the four feet of the machine as much as possible.
 Place the machine at its site.
 Place the spacers (B) between the machine and the floor.
 Tighten the machine to the floor with the two bolts.
 Adjust the feet of the machine to the floor and lock them with the nuts.



POSITION ON VESSEL



The unit shall be placed as in the figure.