



## WASHER-EXTRACTOR, 6 KG

Model: WH6-6

Article no: 9863430057

Power supply: 230V 1Ph ~50Hz

The WH6-6 washer-extractor has a certified ergonomic design with a human-centered approach for outstanding user experience. Compass Pro® microprocessor offers a large display and one control knob for easy program and language selection and quick choice and option buttons for the most frequently used wash programs. Four compartment detergent box for flexibility of manual dosing of powder or liquid detergent. Professional door with gasket and sturdy hinges built for heavy-duty operation, hygiene, and long-term savings.

The washer has programs optimized for the lowest water, energy, and detergent consumption. The Automatic Savings weighs the linen and adjusts the water level, saving water and energy.

Monitoring of the status of the equipment and performance from anywhere, allowing to take action to improve the business. Connectable to OnE Laundry, the personal assistant for hygiene validation, process management, and revenue management.

### MAIN FEATURES

- The Line 6000 series are the first washer/dryers to receive certification in ergonomic design
- Silver grey powder painted galvanised steel exterior
- Compass Pro® microprocessor
- Four compartment detergent box
- Heavy-duty operation door
- High extraction force
- Automatic savings of water and energy
- Power balance
- Connectable to "OnE Laundry"
- Manual detergent dosing

WH6-6, 9863430057

15-01-24 (17:22)

Subject to change without notice  
For correct installation, refer to the installation manual

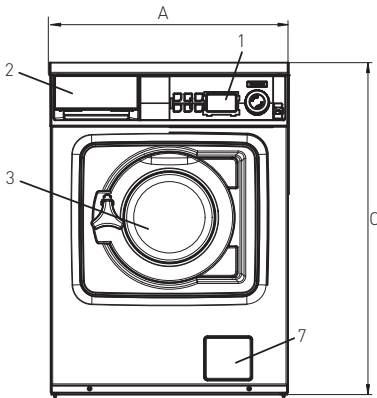
<b>Model Number Specific</b>	WH6-6
<b>Voltage (V)</b>	230
<b>Phase</b>	1
<b>Frequency (Hz)</b>	50
<b>Loading (kW)</b>	2,4
<b>Fuse (A)</b>	16
<b>IP Class</b>	X4
<b>Capacity (kg)</b>	6
<b>Capacity, filling factor</b>	1:9
<b>Capacity, filling factor (kg)</b>	6
<b>Capacity, water evaporation, max (L/h)</b>	160
<b>Width, net (mm)</b>	595
<b>Depth, net (mm)</b>	681
<b>Height, net (mm)</b>	832
<b>Weight, net (kg)</b>	100
<b>Weight, gross (kg)</b>	115
<b>Volume, net (m3)</b>	0,34
<b>Volume, gross (m3)</b>	0,44
<b>Connection Cable, length (m)</b>	0
<b>Plug type</b>	None
<b>Automatic weighing system</b>	Yes
<b>Certifications</b>	CE
<b>Cold water inlet temperature (°C)</b>	test2
<b>Cold water inlet, diameter (")</b>	3/4
<b>Detergent box</b>	Front
<b>Door Hanging</b>	Right
<b>Drain pipe, diameter (mm)</b>	50
<b>Drain pump</b>	No
<b>Drum type</b>	Stainless steel
<b>Energy consumption (kW/h)</b>	0,95
<b>Energy consumption, Normal, 60°C (kWh)</b>	0,95
<b>Exterior</b>	Colored
<b>G factor</b>	425
<b>Hot water inlet temperature (°C)</b>	test1

<b>Installation, type</b>	Floor model
<b>Noise level &lt;(dB)</b>	70
<b>Other general information</b>	Heating Power 2.2 kW
<b>Prepared for dosing system</b>	No
<b>Spin, max (rpm)</b>	1300
<b>SS Front panel</b>	No
<b>Stackable</b>	Yes
<b>Volume, drum (L)</b>	53
<b>Water consumption, Normal, 60°C (L)</b>	39
<b>Water pressure, max (Bar)</b>	10
<b>Water pressure, min (Bar)</b>	0,5

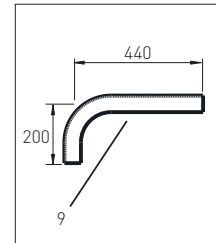
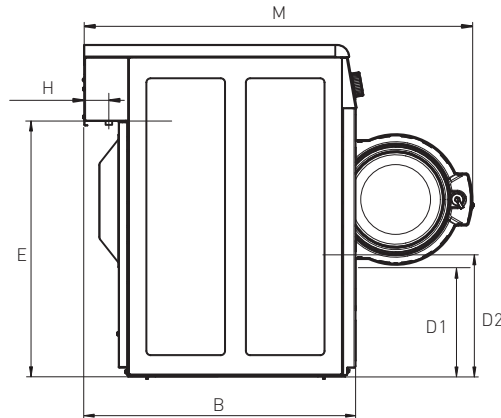
## INCLUDED IN DELIVERY

Drain hose Ø 50 mm L=440mm. Water hoses are available as accessories.

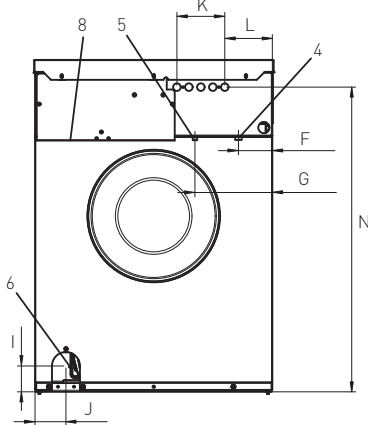
FRONT



SIDE



BACK



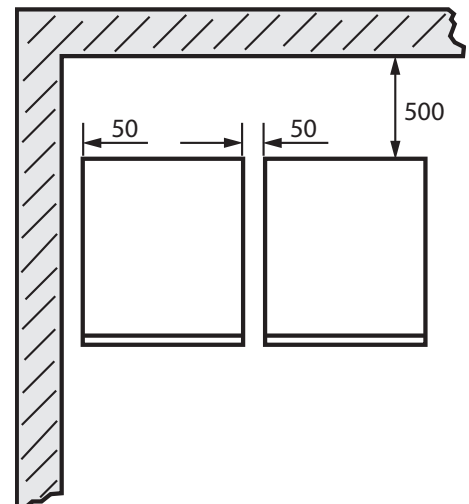
1. Operating panel
2. Detergent container
3. Door opening, Ø 255 mm
4. Cold water
5. Hot water
6. Drain valve
7. Drain pump (depending on model, see technical data)
8. Electrical connection
9. Drain hose Ø 50 mm

Dimensions (mm)

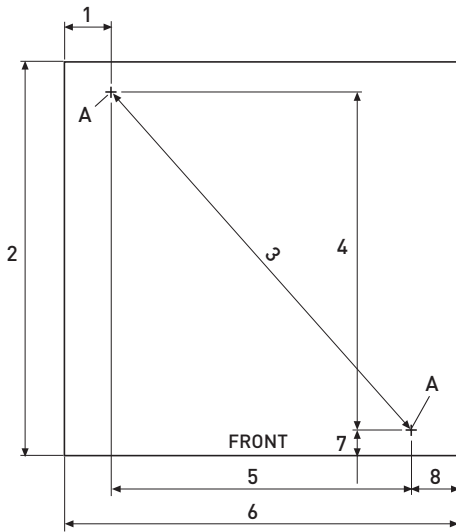
A	B	C	D1	D2	E	F	G	H	I	J	K	L	M	N
595	681	832*	284	310	641	84	194	48	65	78	120	119	974	764

\*Adjustable height 25mm

Install the machine close to a floor drain or open drain. The machine should be positioned so that there is plenty of room for working, both for the user and service personnel. The figure shows minimum distance to a wall and/or other machines. Failure to respect the prescribed distances will prevent easy access for maintenance and service operations.



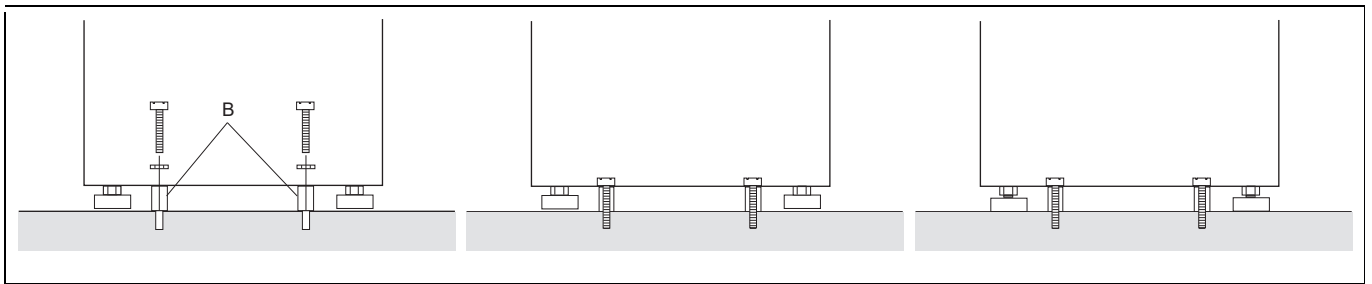
MARINE INSTALLATION



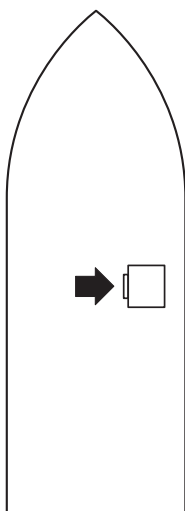
(mm)

1	2	3	4	5	6	7	8
70	590	676	506	450	590	40	70

To ensure steadiness of the machine; the machine must be fastened to the floor.  
 Mark and drill two holes (A) Ø 8.5 mm.  
 Thread the holes with M10 bolts.  
 Thread up the four feet of the machine as much as possible.  
 Place the machine at its site.  
 Place the spacers (B) between the machine and the floor.  
 Tighten the machine to the floor with the two bolts.  
 Adjust the feet of the machine to the floor and lock them with the nuts.



POSITION ON VESSEL



The unit shall be placed as in the figure.