



WASHER-EXTRACTOR 14KG, MANUAL & AUTOMATIC DOSING

Model: WH6-14

Article no: 9867830167

Power supply: 440V 3Ph ~60Hz

The WH6-14 washer-extractor has a certified ergonomic design with a human-centered approach for outstanding user experience. The Compass Pro® microprocessor offers a large display, one control knob for easy program and language selection, and quick choice and option buttons for the most frequently used wash programs. Four-compartment detergent box for flexible manual dosing of powder or liquid detergent. Professional door with gasket and sturdy hinges built for heavy-duty operation, hygiene, and long-term savings.

The washer has programs optimized for the lowest consumption of water, energy, and detergent. Automatic Savings weighs the linen and adjusts the water level to the amount of linen, saving water and energy at less than full load.

Monitoring the equipment's status and performance from anywhere allows you to take action to improve the business. Connectable to OnE Laundry, the personal assistant for hygiene validation, process management, and revenue management.

The detergent pump system is available as an optional extra.

MAIN FEATURES

- Prepared for automatic dosing (5 liquid signals) and extra I/O board
- The Line 6000 series are the first washer/dryers to receive certification in ergonomic design
- Compass Pro® microprocessor
- 4-compartment detergent box
- Heavy-duty operation door
- High extraction force
- Automatic savings of water and energy
- Connectable to "OnE Laundry"

WH6-14, 9867830167

15-01-24 (17:16)

TECHNICAL DATA

WH6-14, 9867830167, 15-01-24 (17:16)

Model Number Specific	WH6-14
Voltage (V)	440
Phase	3
Frequency (Hz)	60
Loading (kW)	13,4
Capacity (kg)	14
Capacity, filling factor	1:9
Width, net (mm)	910
Depth, net (mm)	821
Height, net (mm)	1326
Weight, net (kg)	263
Weight, gross (kg)	278
Volume, net (m3)	0,99
Volume, gross (m3)	1,29
Connection Cable, length (m)	0
Plug type	None
Automatic weighing system	Yes
Certifications	CE
Cold water inlet, diameter (")	3/4
Detergent box	Top
Door Hanging	Right
Drain pipe, diameter (mm)	75
Drum type	Stainless steel
Energy consumption, Normal, 60°C (kWh)	2,3
Exterior	Colored
G factor	450
Hot water inlet, diameter (")	3/4
Installation, type	Floor model
Noise level <(dB)	78
Prepared for dosing system	Yes
Spin, max (rpm)	1113
SS Front panel	No
Volume, drum (L)	130
Water consumption, Normal, 60°C (L)	91

Loipart AB (HQ), Sweden
Tel. +46 313 920 100, loipart@loipart.se

LMG Finland oy, Finland
+358 40 664 6680, lmg@lmg.fi



Loipart USA inc, USA
Tel. +1 954 530 5276, loipartusa@loipart.com

Loipart SEA Pte Ltd, Singapore
Tel. +65 674 99 100, contact@loipart.sg

Visit us at www.loipart.com

Water pressure, max (Bar)	600
Water pressure, min (Bar)	200

INCLUDED IN DELIVERY

Drain hose Ø 75mm L=440mm. Water hoses are available as accessories.

Loipart AB (HQ), **Sweden**
Tel. +46 313 920 100, loipart@loipart.se

LMG Finland oy, **Finland**
+358 40 664 6680, lmg@lmg.fi



Loipart USA inc, **USA**
Tel. +1 954 530 5276, loipartusa@loipart.com

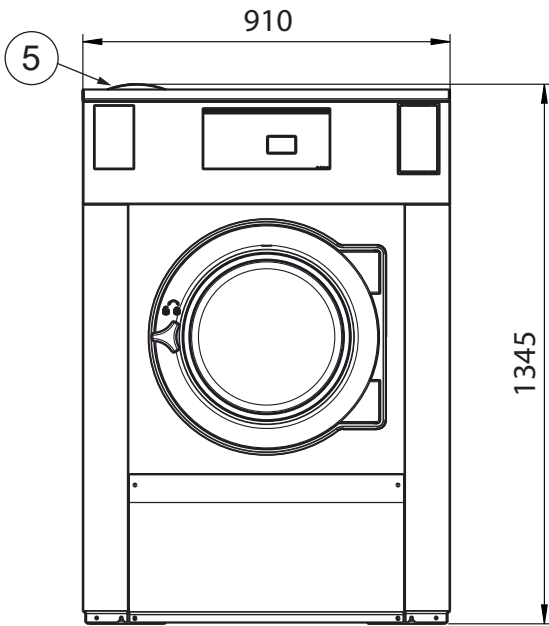
Loipart SEA Pte Ltd, **Singapore**
Tel. +65 674 99 100, contact@loipart.sg

Visit us at www.loipart.com

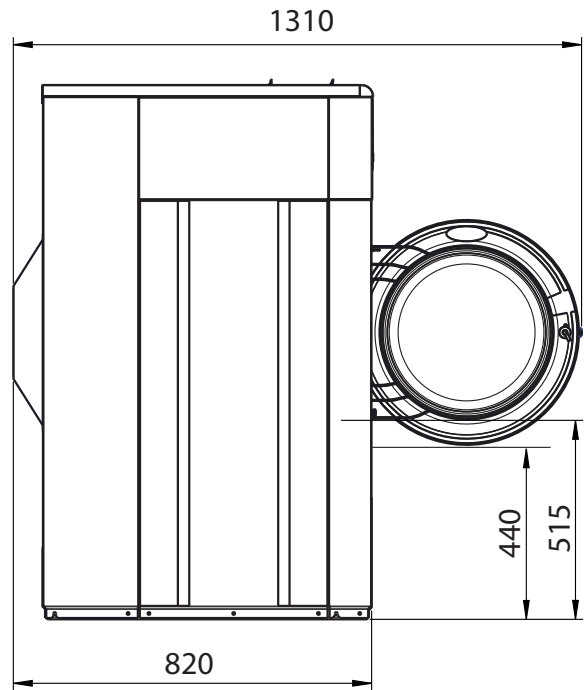
DIMENSIONS

Model: WH6-14 Rev. 1

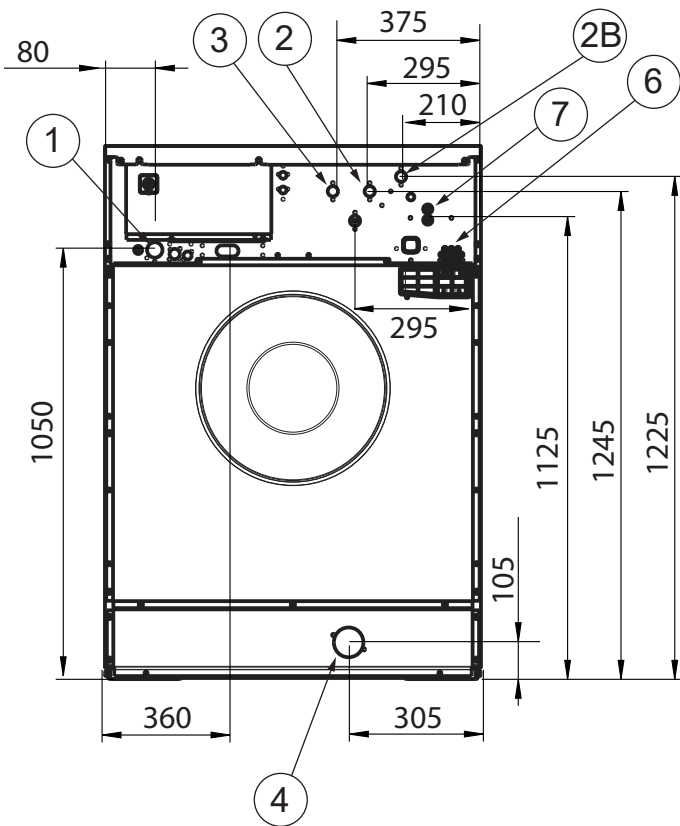
FRONT



SIDE

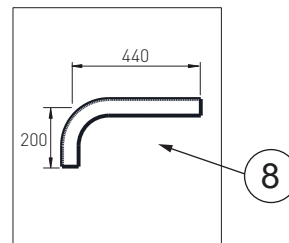


BACK



- 1. Electrical connection
- 2. Cold water connection
- 2B. Cold water connection (for detergent container) / Hot
- 3. Hot water connection
- 4. Drain
- 5. Detergent container
- 6. Liquid detergent supply
- 7. Re-used water (not supplied by Loipart)
- 8. Drain hose Ø 75 mm

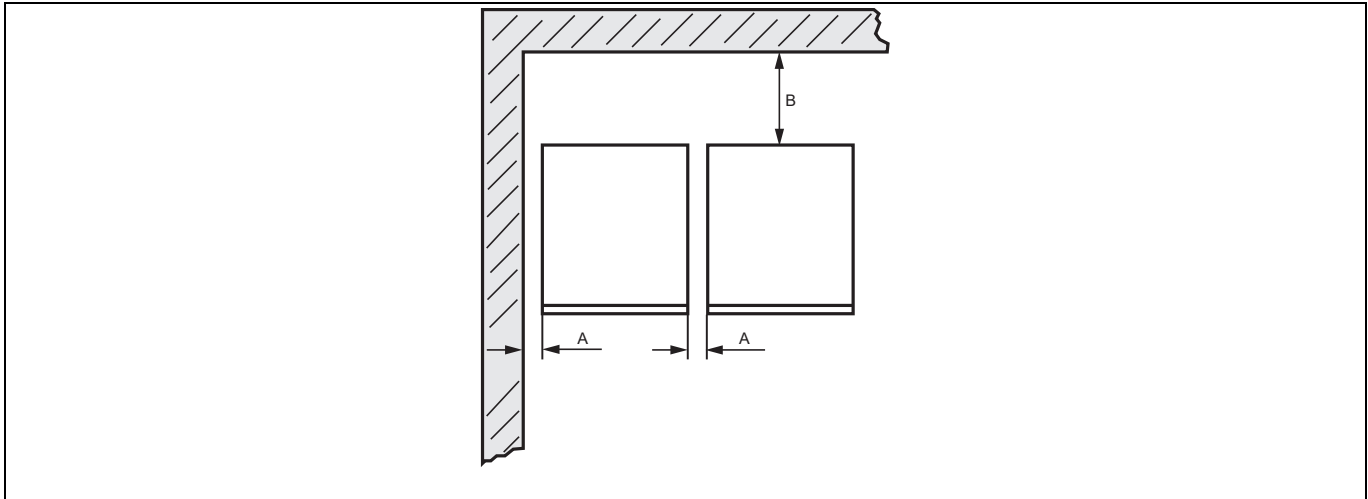
Refer to the installation manual and the section "Marine installation" for instructions on how to secure the machine properly. Instructions are given for mechanical installation, welding a foundation or casting a plinth.



Siting

Install the machine close to a floor drain or open drain.

The machine should be positioned so that there is plenty of room for working, both for the user and service personnel. The figure shows minimum distance to a wall and/or other machines. Failure to respect the prescribed distances will prevent easy access for maintenance and service operations.



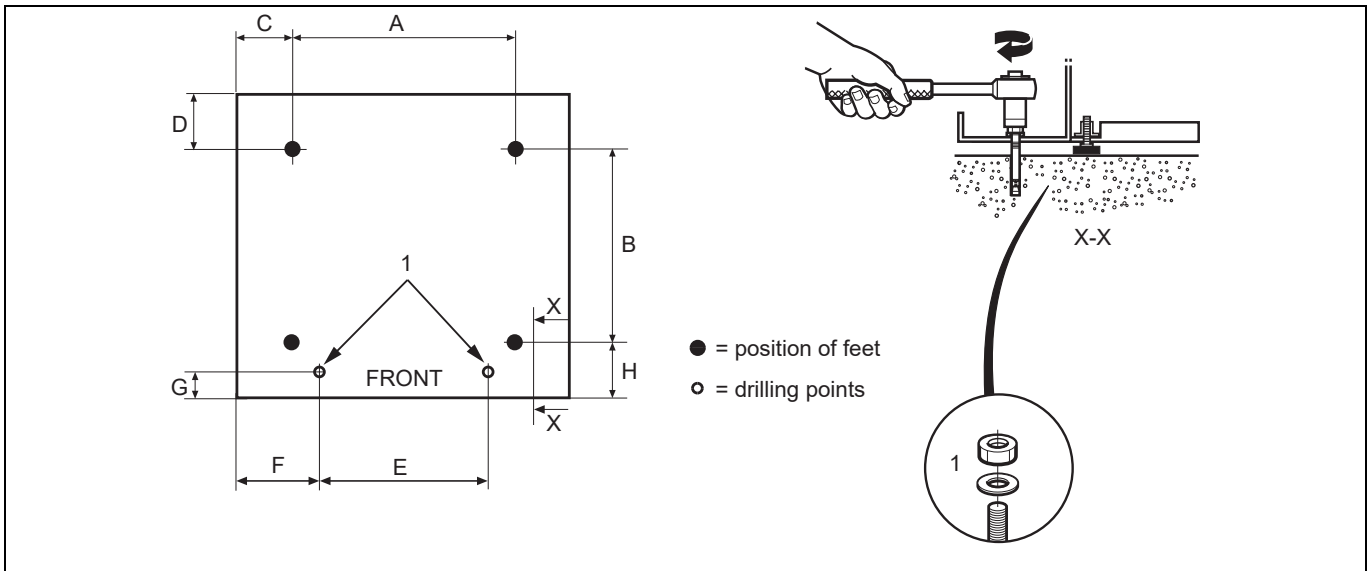
A	50 mm
B	500 mm

Mechanical installation

If the machine is not to be mounted on a base the machine must be fastened to the floor with the enclosed expansion bolts.

The table shows the correct position of feet and drilling points.

Mark and drill two holes (Ø10 mm) about 50 mm deep in position (1).



mm	A	B	C	D	E	F	G	H
WH6-14	635	490	135	175	515	195	65	125

The maximum height adjustment of the feet is 50 mm.