

## PRE-RINSE SPRAY UNIT, 1.5 M

Model: 865443

Article no: L12026

Pre-rinse unit with fixed  
thermostatic water mixer, hose  
length 1500mm.

865443, L12026  
15-01-24 (16:05)

Subject to change without notice  
For correct installation, refer to the installation manual

## TECHNICAL DATA

865443, L12026, 15-01-24 (16:05)

<b>Model Number Specific</b>	865443
<b>Width, net (mm)</b>	210
<b>Depth, net (mm)</b>	210
<b>Height, net (mm)</b>	210
<b>Weight, net (kg)</b>	1
<b>Weight, gross (kg)</b>	2
<b>Volume, net (m3)</b>	0,01
<b>Volume, gross (m3)</b>	0,01

Loipart AB (HQ), **Sweden**  
Tel. +46 313 920 100, loipart@loipart.se

LMG Finland oy, **Finland**  
+358 40 664 6680, lmg@lmg.fi



Loipart USA inc, **USA**  
Tel. +1 954 530 5276, loipartusa@loipart.com

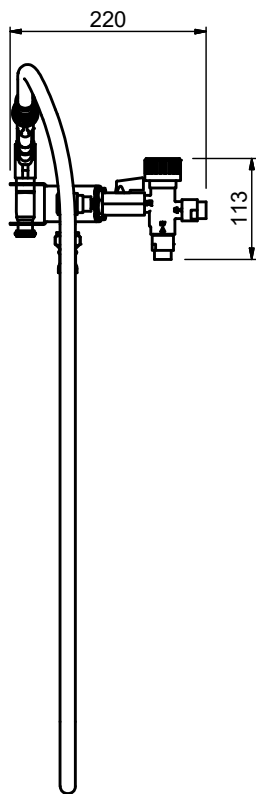
Loipart SEA Pte Ltd, **Singapore**  
Tel. +65 674 99 100, contact@loipart.sg

Visit us at [www.loipart.com](http://www.loipart.com)

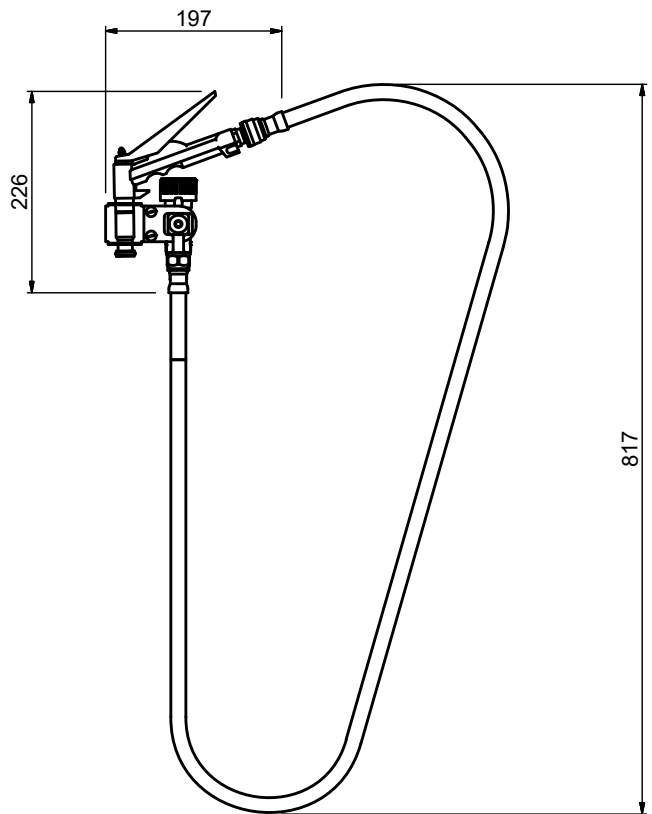
# DIMENSIONS

Model: 865443 Rev. 1

FRONT



SIDE



TOP

