



## PRE-RINSE SPRAY UNIT, WALL-MOUNTED

Model: FMM-2

Article no: 9S1015

The pre-rinse spray unit has wall plate, wall bracket and mixer unit in shiny chrome-plated brass. Shower handle has self-closing action and is made of most durable polystyrene. A chrome-plated steel spring is supporting the high-pressure plastic hose.

The spray unit has manually controlled two-handle the mixer provided with a non-return valve. The separately controlled water swivel pipe completes the unit's versatility at the dishwasher loading area. The unit is delivered with a wall plate for a mixer with seal and wall bracket for shower bar.

Non-return valves prevent circulation between the hot and cold water and prevent wastewater from being sucked back in. The tap fitting thus complies with the rules for drinking water installations as per DIN 1988. All seals meet the requirements for plastics in contact with water and the requirements of DVGW worksheet W 270.

### MAIN FEATURES

- Chromed brass and steel.
- Wall plate for visible piping.
- Shower handle with self-closing action.
- Separate swivel pipe.
- Two-handle mixer.
- C/c 150 mm.

FMM-2, 9S1015  
15-01-24 (16:01)

## TECHNICAL DATA

FMM-2, 9S1015, 15-01-24 (16:01)

<b>Model Number Specific</b>	FMM-2
<b>Width, net (mm)</b>	400
<b>Depth, net (mm)</b>	600
<b>Height, net (mm)</b>	300
<b>Weight, net (kg)</b>	7
<b>Weight, gross (kg)</b>	8
<b>Volume, net (m3)</b>	0,07
<b>Volume, gross (m3)</b>	0,09
<b>Installation, type</b>	Wall mounted model
<b>Other general information</b>	Water connections distance from wall (mm) 20.
<b>Pressure, max (Bar)</b>	10

Loipart AB (HQ), **Sweden**  
Tel. +46 313 920 100, loipart@loipart.se

LMG Finland oy, **Finland**  
+358 40 664 6680, lmg@lmg.fi



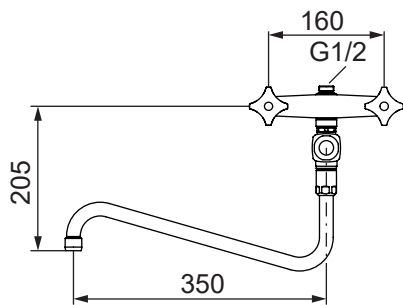
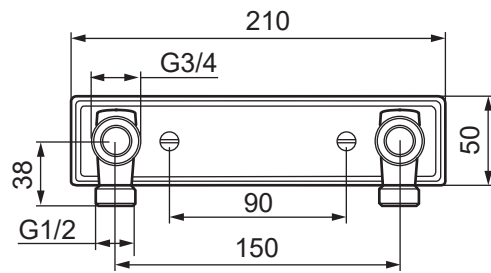
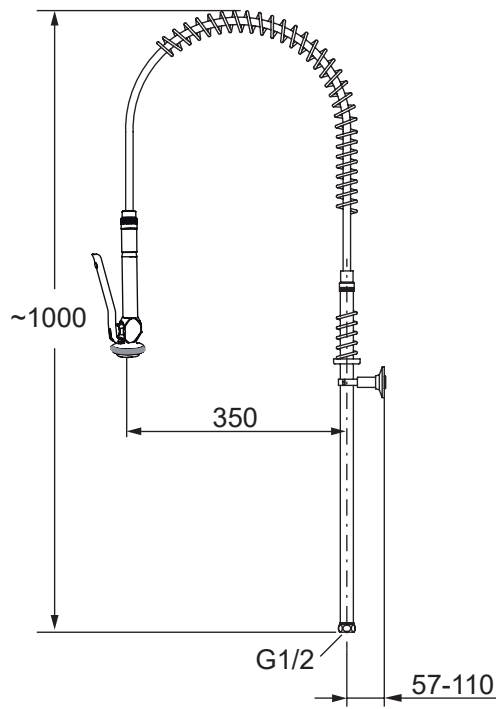
Loipart USA inc, **USA**  
Tel. +1 954 530 5276, loipartusa@loipart.com

Loipart SEA Pte Ltd, **Singapore**  
Tel. +65 674 99 100, contact@loipart.sg

Visit us at [www.loipart.com](http://www.loipart.com)

# DIMENSIONS

Model: FMM-2 Rev. 1



1. Warm water connection R 1/2" M.
2. Cold water connection R 1/2" M.