



## POT AND PAN WASHER

Model: EPPWESG

Article no: 190AQJ

Power supply: 400V 3Ph ~50Hz

The Pot and Pan washer is designed for washing containers, baking plates, trays, pots and pans, casseroles, storage boxes, and cooking utensils. The front and side panel, wash tank, filters, and wash and rinse arms are manufactured in 304 AISI stainless steel. An additional 3-sided wash arm provides more powerful wash water for the best cleaning of soiled items.

The Pot and Pan washer has four washing cycles of 180-360-540 seconds and is continuous for different levels of soiled items. The machine is also provided with a fault autodiagnosis system and prearrangements for the automatic detergent dispenser, HACCP system implementation, and Energy Management device. The machine's construction includes an atmospheric boiler combined with the rinse booster pump for perfect rinsing performances.

The 180° frontal opening door allows easy access to the washing chamber. The model also has a built-in drain pump, rinse aid, and detergent dispense.

### MAIN FEATURES

- Double skin insulated door for less heat and noise dispersion.
- Electronic board with digital display.
- High efficiency air gap (class A) in water inlet.
- Simple control panel.
- Easy removable wash- and rinse arms, pump and tank filters.
- Smooth surfaces and a tank with rounded corners for simplify cleaning.
- Fully automatic self-cleaning cycle.
- 97% recyclable by weight.

EPPWESG, 190AQJ  
15-01-24 (15:53)

<b>Model Number Specific</b>	EPPWESG
<b>Voltage (V)</b>	400
<b>Phase</b>	3
<b>Frequency (Hz)</b>	50
<b>Loading (kW)</b>	20
<b>IP Class</b>	X5
<b>Capacity, max (racks/h)</b>	20
<b>Width, net (mm)</b>	876
<b>Depth, net (mm)</b>	900
<b>Height, net (mm)</b>	1791
<b>Weight, net (kg)</b>	200
<b>Weight, gross (kg)</b>	230
<b>Volume, net (m3)</b>	1,52
<b>Volume, gross (m3)</b>	1,98
<b>Connection height, drain (mm)</b>	220
<b>Connection height, electric (mm)</b>	220
<b>Connection height, water (mm)</b>	220
<b>Cycle time (s)</b>	180
<b>Dishwashing racks</b>	1
<b>Drain pipe, diameter (mm)</b>	20
<b>Feeding, type</b>	Batch
<b>Hardness, max (dH°)</b>	8
<b>Hot water inlet temperature (°C)</b>	50
<b>Hot water inlet, diameter (mm)</b>	20
<b>Installation, type</b>	Floor model
<b>Marine feet</b>	Yes
<b>Noise level &lt;(dB)</b>	70
<b>Rinse temperature (°C)</b>	84
<b>Water consumption (L/cycle)</b>	7
<b>Water pressure, max (Bar)</b>	7
<b>Water pressure, min (Bar)</b>	0,5

INCLUDED IN DELIVERY

864182 Extra rack for container and trays and 864191 S/S basket for pot washer 688 mm

Loipart AB (HQ), Sweden  
Tel. +46 313 920 100, loipart@loipart.se

LMG Finland oy, Finland  
+358 40 664 6680, lmg@lmg.fi



Loipart USA inc, USA  
Tel. +1 954 530 5276, loipartusa@loipart.com

Loipart SEA Pte Ltd, Singapore  
Tel. +65 674 99 100, contact@loipart.sg

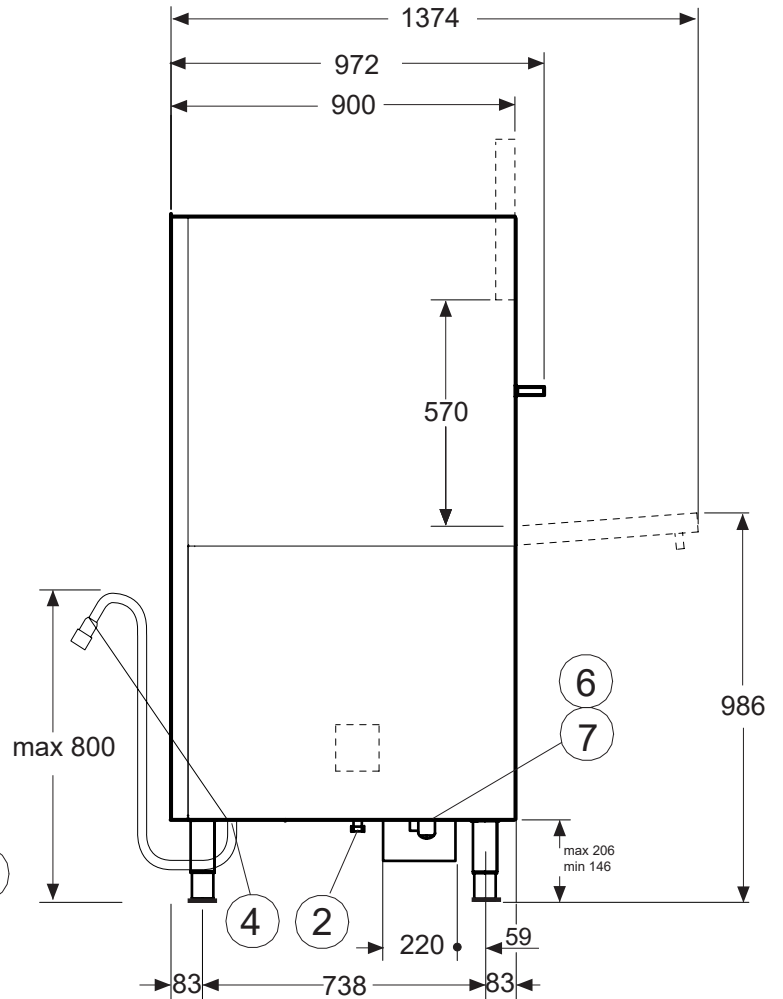
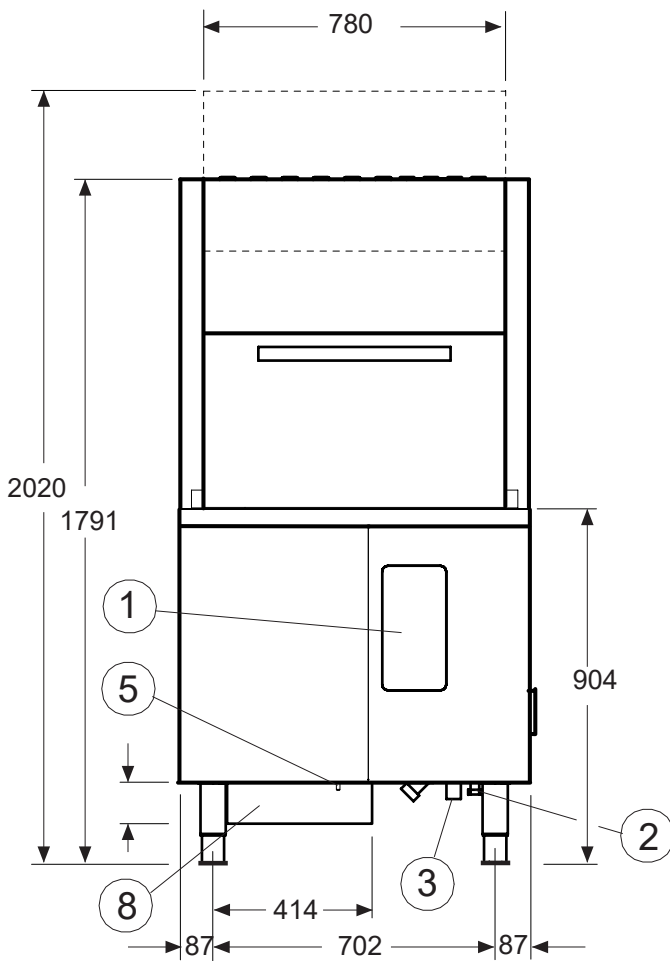
Visit us at [www.loipart.com](http://www.loipart.com)

# DIMENSIONS

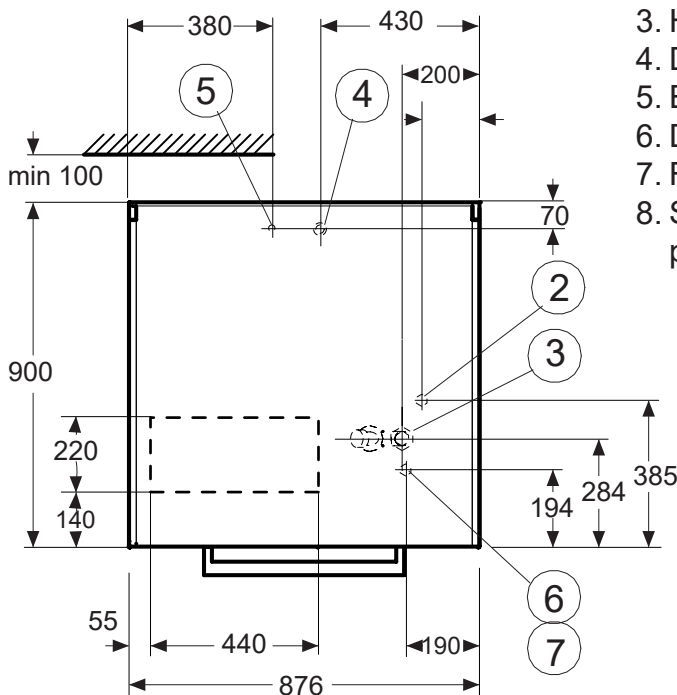
Model: EPPWESG Rev.2

FRONT

SIDE

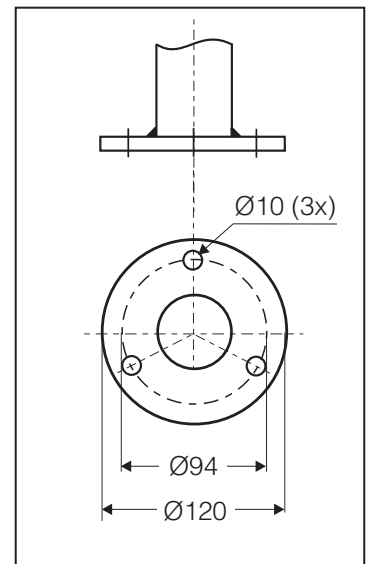


TOP



1. Control panel
2. Electrical connection
3. Hot water connection 20 mm
4. Drain connection 20 mm
5. Equipotential screw
6. Detergent connection
7. Rinse aid connection
8. S/s box - drain pump protection

DETAIL MARINE FOOT



Min 146  
Max 206