



HOOD TYPE DISHWASHER

Model: EHT8M6

Article no: 505080

Power supply: 440V 3Ph ~60Hz

The model can operate either in High Productivity mode or in Sanitation mode and has three wash cycles - for lightly, normal or heavily soiled dishes. Built-in atmospheric boiler sized to raise incoming water to a minimum of 84 °C for sanitising rinse. Unique temperature interlock guarantees required temperatures in both the wash and final rinse. Built-in rinse aid dispenser with automatic initial and continuous cycle loading for the perfect result while minimising service and maintenance needs. Slanted wash arms to avoid detergent-filled wash water dripping on clean dishes after the rinsing phase, thus guaranteeing ideal washing results. The model has an automatic self-cleaning cycle and self-draining vertical wash pump and boiler to avoid bacteria proliferation.

MAIN FEATURES

- For connection to hot water
- Drain pump
- Built-in rinse aid dispenser
- 80 baskets/hour capacity
- Single Skin Hood
- Low water and detergent consumption
- Electronic system control
- Built-in atmospheric boiler
- Automatic self-cleaning cycle
- Installation for straight or corner flow installation

EHT8M6, 505080
15-01-24 (15:21)

Subject to change without notice
For correct installation, refer to the installation manual

Model Number Specific	EHT8M6
Voltage (V)	440
Phase	3
Frequency (Hz)	60
Loading (kW)	9,9
Max Amps in Phase (A)	14,5
IP Class	X5
Capacity (racks/h)	80
Width, net (mm)	746
Depth, net (mm)	755
Height, net (mm)	1549
Weight, net (kg)	106
Weight, gross (kg)	125
Volume, net (m3)	0,87
Volume, gross (m3)	1,13
Connection Cable, length (m)	0
Plug type	None
Atmospheric boiler	Yes
Certifications	CE
Cycle time (s)	45
Detergent pump incl.	No
Drain pipe, diameter (")	3/4
Drain pump	Yes
Electronic control	Yes
Hot water inlet temperature (°C)	10-65
Noise level <(dB)	63
Rinse pump incl.	Yes
Rinse temperature (°C)	84
Temperature, max (°C)	84
USPH	No
Water consumption (L/cycle)	2
Water pressure, max (Bar)	7
Water pressure, min (Bar)	0,5

INCLUDED IN DELIVERY

- 1 of Yellow cutlery container PNC 864242 • 1 of Basket for 18 dinner plates - yellow PNC 867002

Loipart AB (HQ), Sweden
Tel. +46 313 920 100, loipart@loipart.se

LMG Finland oy, Finland
+358 40 664 6680, lmg@lmg.fi

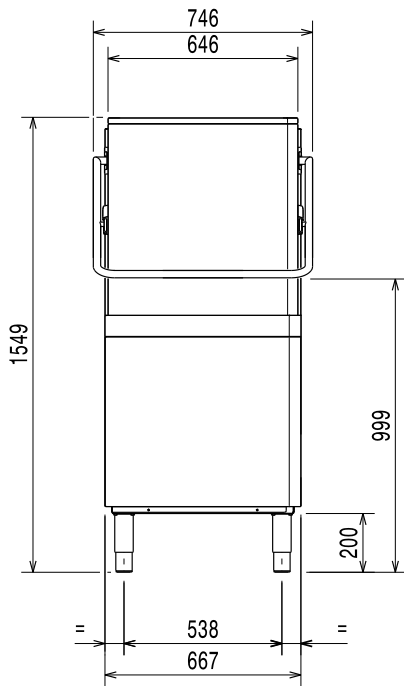


Loipart USA inc, USA
Tel. +1 954 530 5276, loipartusa@loipart.com

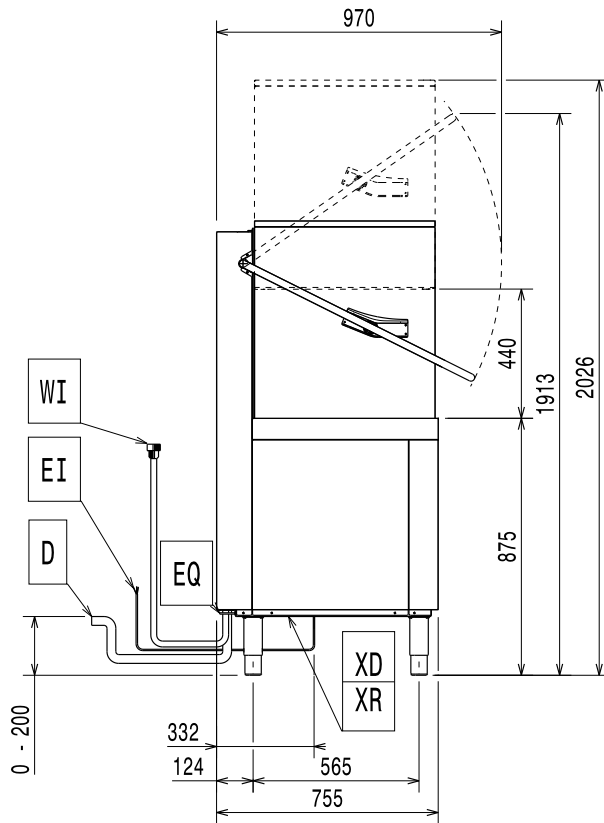
Loipart SEA Pte Ltd, Singapore
Tel. +65 674 99 100, contact@loipart.sg

Visit us at www.loipart.com

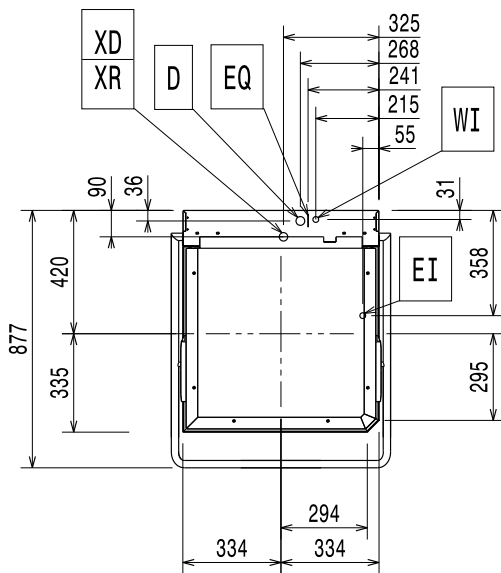
FRONT



SIDE



BOTTOM



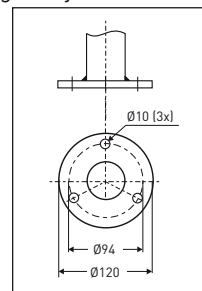
- A Control panel
- C Marine foot
- W Hot water connection G 3/4 , inlet hose 2100 mm.
- D Drain connection Ø 20.5, drain hose L=1.6 m
- EI Electrical connection
- XD Detergent connection
- XR Rinse aid connection
- EQ Equipotential screw (earth screw)

Control panel A

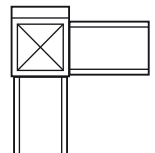


1. ON/OFF
2. tank temp. indicator light
3. water tap indicator light
4. boiler temp. indicator light
5. wash cycle 1
6. wash cycle 2
7. wash cycle 3
8. HP or ETL mode
9. drain
10. delime cycle
11. active/wash safe control

Detail of marine leg:
(height adjustable +40-18 mm)



Corner feed



Straight feed

