



UNDERCOUNTER DISHWASHER 30 RACKS/H

Model: LDW50

Article no: L16042

Power supply: 400V 3Ph ~50Hz

This dishwasher LDW50 is made of stainless steel 18/8 304 and is made for continuous operation. It is easy to use and simple to clean. The dishwasher has automatic filling, tank thermometer, pressure hose 3/4", drain hose and thermal protection for boiler and tank, rinse aid valve, D.V.G.W value. Detergent pump included in delivery

MAIN FEATURES

- Door opening height 36 cm
- Double skin door
- Stainless steel wash and rinse system
- Stainless steel tank AISI/304 mm
- Waterproof IP44 pump.
- Standard break tank valve.
- Standard boiler thermometer.
- With detergent pump.

LDW50, L16042
15-01-24 (14:35)

Subject to change without notice
For correct installation, refer to the installation manual

Model Number Specific	LDW50
Voltage (V)	400
Phase	3
Frequency (Hz)	50
Loading (kW)	6,6
IP Class	44
Capacity (racks/h)	30
Width, net (mm)	570
Depth, net (mm)	600
Height, net (mm)	830
Weight, net (kg)	55
Weight, gross (kg)	60
Volume, net (m3)	0,28
Volume, gross (m3)	0,37
Connection Cable, length (m)	1,5
Plug type	None
Certifications	CE
Cold water inlet, diameter (")	3/4
Cycle time (s)	120
Detergent pump incl.	Yes
Drain pump	Yes
Installation, type	Floor model
Noise level <(dB)	71,2
Other general information	Drain pipe L=1,6 m Ø =28 mm for models with drain pump.
Water pressure, max (Bar)	5
Water pressure, min (Bar)	2

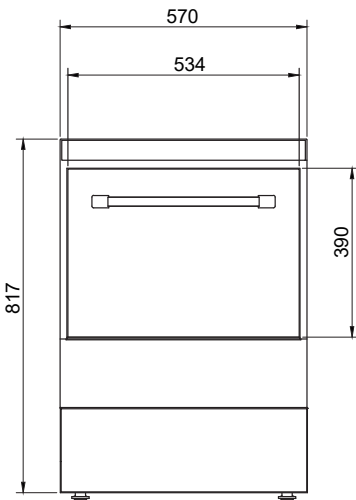
INCLUDED IN DELIVERY

1pc of glass rack, 1pc of plate rack and 1pc of cutlery rack.

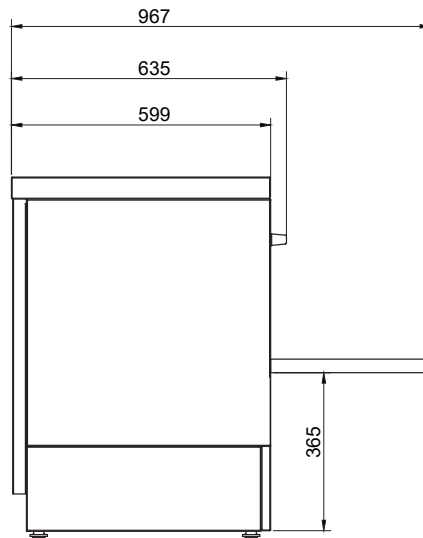
DIMENSIONS

Model: LDW50 Rev. 2
LDW60

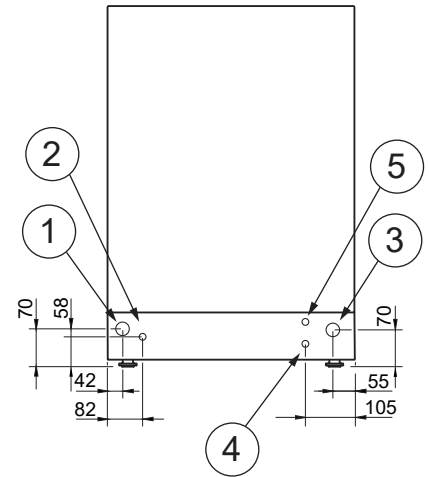
FRONT



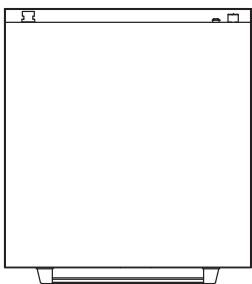
SIDE



BACK

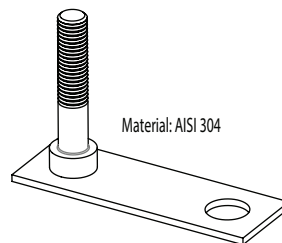
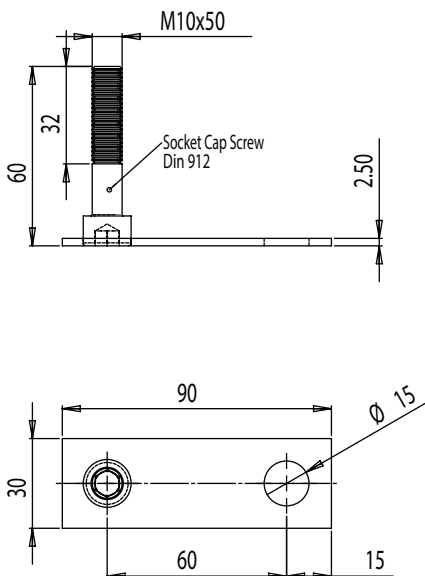


TOP



1. Drain pipe L=1,6 m \varnothing =28 mm for models with drain pump.
Drain pipe L=1 m \varnothing =25 mm for models w/o drain pump.
2. Electrical connection
3. Water inlet G3/4
4. Rinse aid flexible pipe pos.
5. Detergent flexible pipe pos.

DETAIL MARINE FOOT



BOTTOM

