



## UNDERCOUNTER DISHWASHER 30 RACKS/H

**Model: LDW50**

**Article no: L17015**

**Power supply: 400V 3Ph ~50Hz**

This dishwasher LDW50 is made of stainless steel 18/8 304 and is made for continuous operation. It is easy to use and simple to clean. The dishwasher has automatic filling, tank thermometer, pressure hose 3/4", drain hose and thermal protection for boiler and tank, rinse aid valve, D.V.G.W value. Detergent pump included in delivery

### MAIN FEATURES

- Door opening height 36 cm
- Double skin door
- Stainless steel wash and rinse system
- Stainless steel tank AISI/304 mm
- Waterproof IP44 pump.
- Standard break tank valve.
- Standard boiler thermometer.
- With detergent pump.

LDW50, L17015  
15-01-24 (14:35)

Subject to change without notice  
For correct installation, refer to the installation manual

<b>Model Number Specific</b>	LDW50
<b>Voltage (V)</b>	400
<b>Phase</b>	3
<b>Frequency (Hz)</b>	50
<b>Loading (kW)</b>	6,6
<b>IP Class</b>	44
<b>Capacity (racks/h)</b>	30
<b>Width, net (mm)</b>	570
<b>Depth, net (mm)</b>	600
<b>Height, net (mm)</b>	830
<b>Weight, net (kg)</b>	55
<b>Weight, gross (kg)</b>	60
<b>Volume, net (m3)</b>	0,28
<b>Volume, gross (m3)</b>	0,37
<b>Connection Cable, length (m)</b>	1,5
<b>Plug type</b>	None
<b>Certifications</b>	CE
<b>Cold water inlet, diameter (")</b>	3/4
<b>Cycle time (s)</b>	120
<b>Detergent pump incl.</b>	Yes
<b>Drain pump</b>	No
<b>Installation, type</b>	Floor model
<b>Noise level &lt;(dB)</b>	71,2
<b>Other general information</b>	Drain pipe L=1 m Ø =25 mm for models w/o drain pump.
<b>Water pressure, max (Bar)</b>	5
<b>Water pressure, min (Bar)</b>	2

**INCLUDED IN DELIVERY**

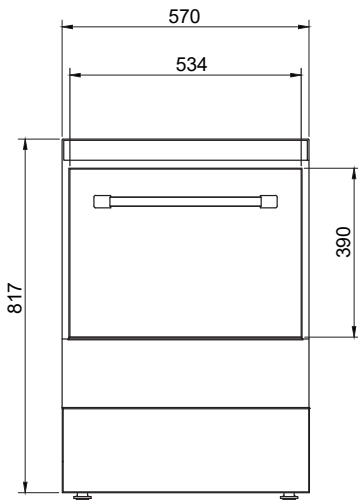
1pc of glass rack, 1pc of plate rack and 1pc of cutlery rack.



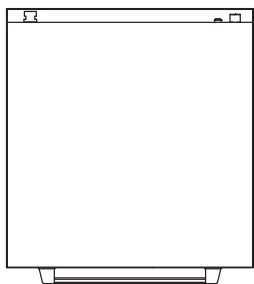
# DIMENSIONS

Model: LDW50 Rev. 2  
LDW60

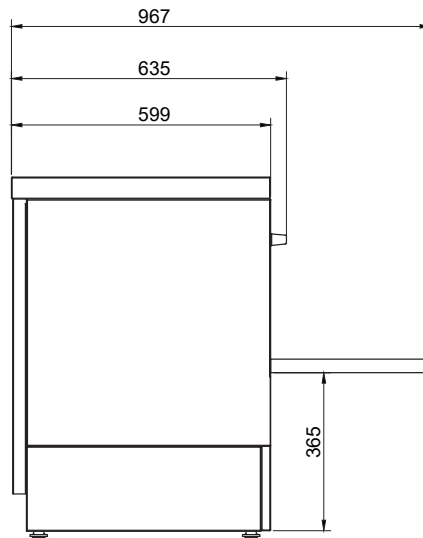
FRONT



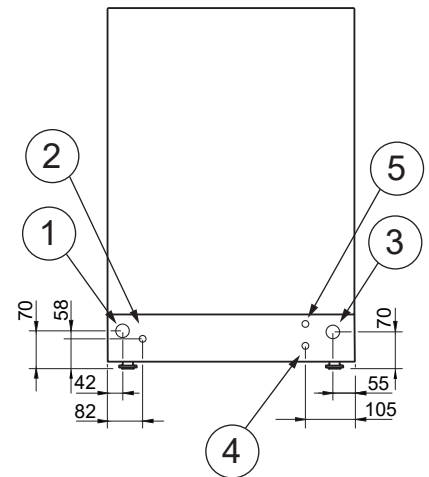
TOP



SIDE

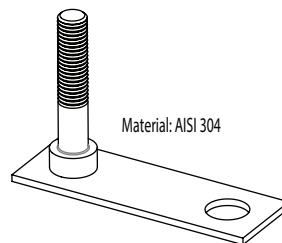
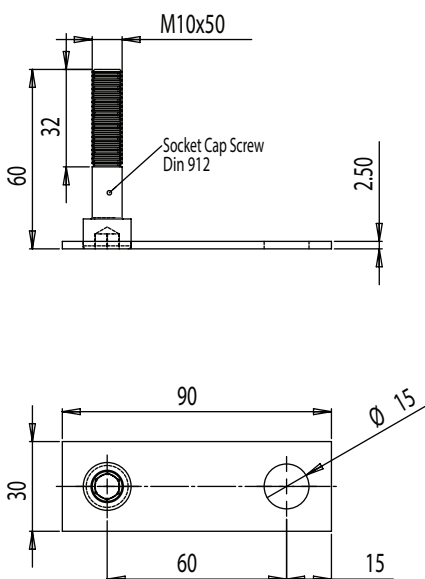


BACK



1. Drain pipe L=1,6 m  $\varnothing$  =28 mm for models with drain pump.  
Drain pipe L=1 m  $\varnothing$  =25 mm for models w/o drain pump.
2. Electrical connection
3. Water inlet G3/4
4. Rinse aid flexible pipe pos.
5. Detergent flexible pipe pos.

DETAIL MARINE FOOT



BOTTOM

