

LOIPART SANISHREDDER



LOIPART

MARINE GALLEY, LAUNDRY
& WASTE AREA SOLUTIONS



LOIPART
SANISHREDDER

LWC130

INTRODUCTION

The LWC-130 is a fully automatic shredder which can process several types of ship-generated garbage. The unit is not only capable of minimizing the volume and weight of various types of waste such as glass, plastic, cardboard, aluminium cans, it also stabilizes the microbial components of the waste, i.e. sterilizing food waste and general waste.

MAIN FEATURES

- Sustainable alternative to the incinerator
- User-friendly unit with short cycles
- High volume reduction
- Weight reduction (removing humidity)
- Microbial stabilization
- Low maintenance

SHREDDING OF WASTE

WASTE THAT CAN BE PROCESSED IN LWC130:

Cardboard



Glass



Metal



Mixed waste



Plastic



Food waste



LWC130

WASTE SHREDDER

- Shred, sanitize, dehydrate,
reduce volume and weight of
different types of waste.



OPERATION

THE SHREDDING PROCESS

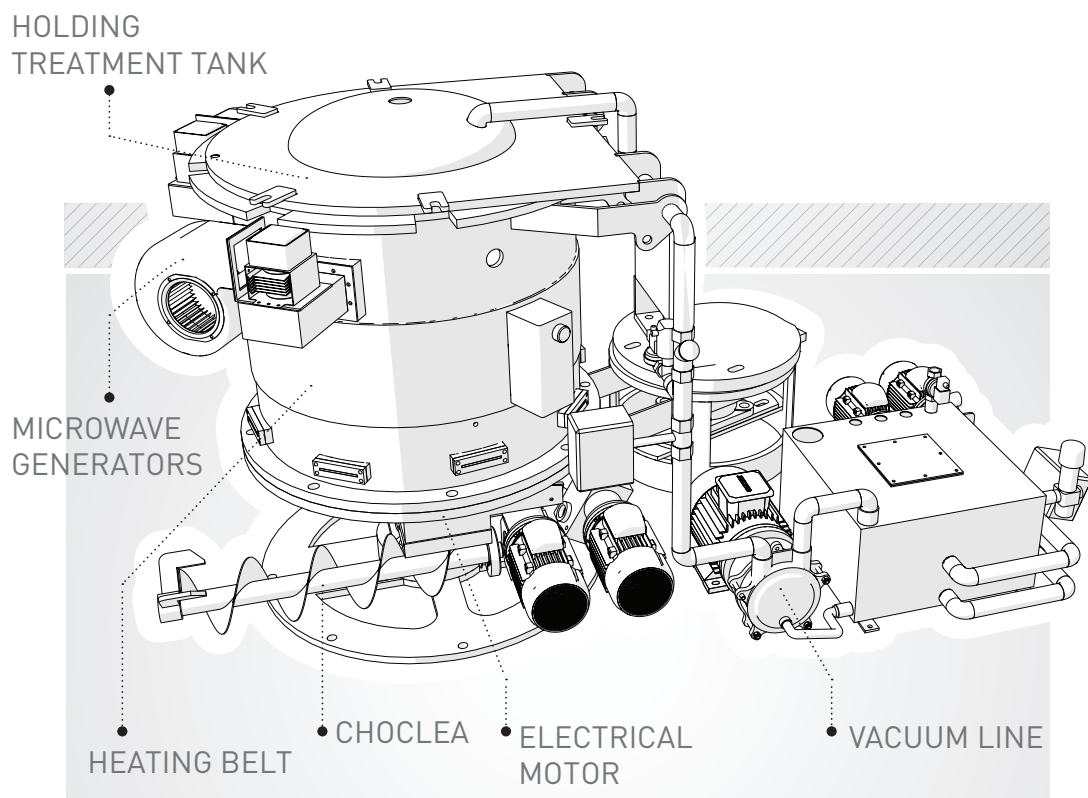
The waste is loaded into the chamber of the unit. Each type of waste will match a certain cycle to a specific program selected on the control panel and the cycle starts by selecting the program.

The conversion cycle consists of several phases;

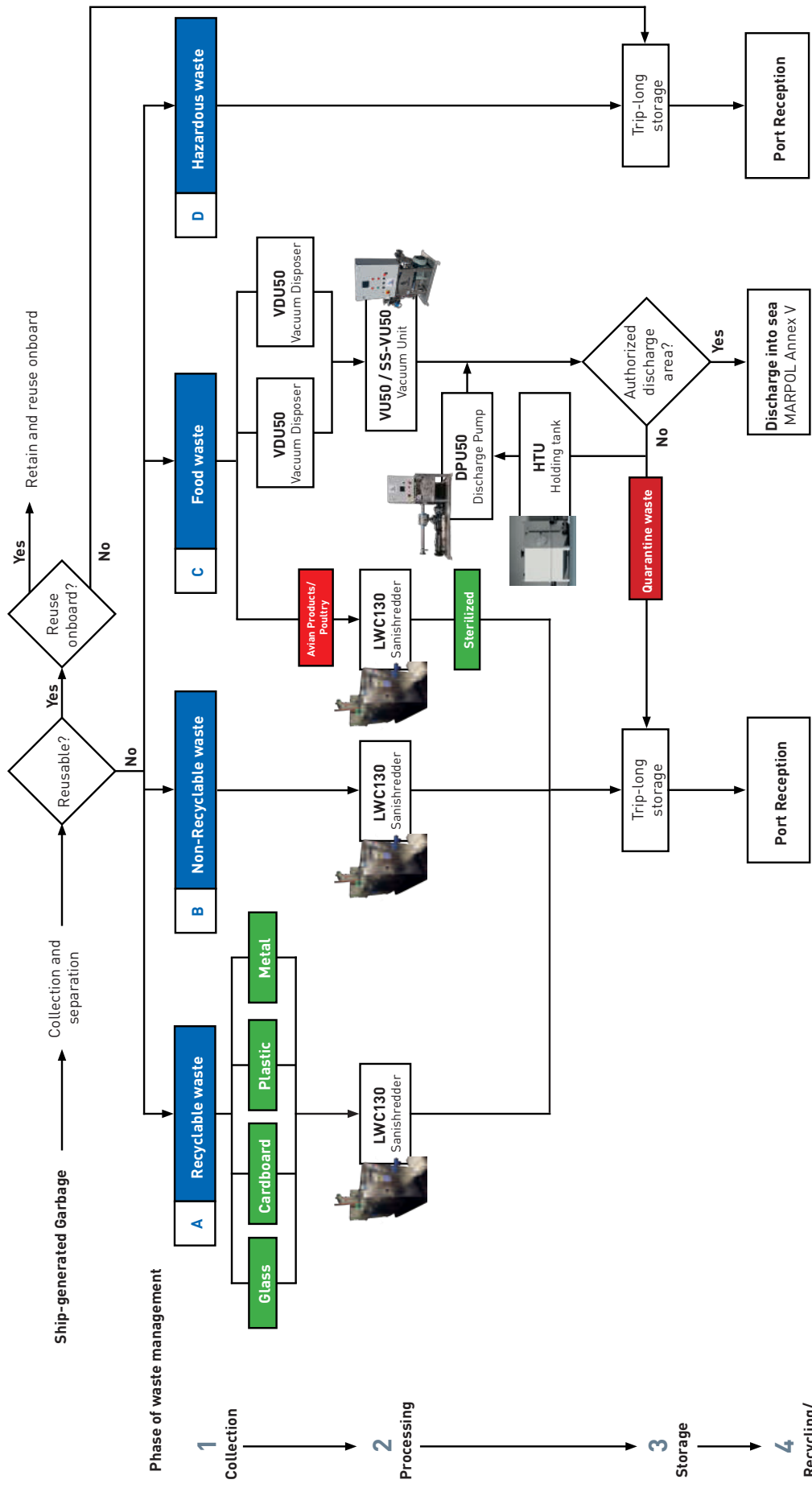
A typical cycle:

The rotor starts, accelerate gradually following a ramp-up and grind the waste. The rotation of the blades, together with microwaves and electrical resistors placed on the chamber, bring the waste to a given temperature and causes the evaporation of the waste moisture. The waste is further heated through the injection of steam in order to sanitize.

The cycle ends in a cooling phase, with support from a vacuum pump, removing moisture and heat of the waste and is finally discharge from the unit by the cochlea.

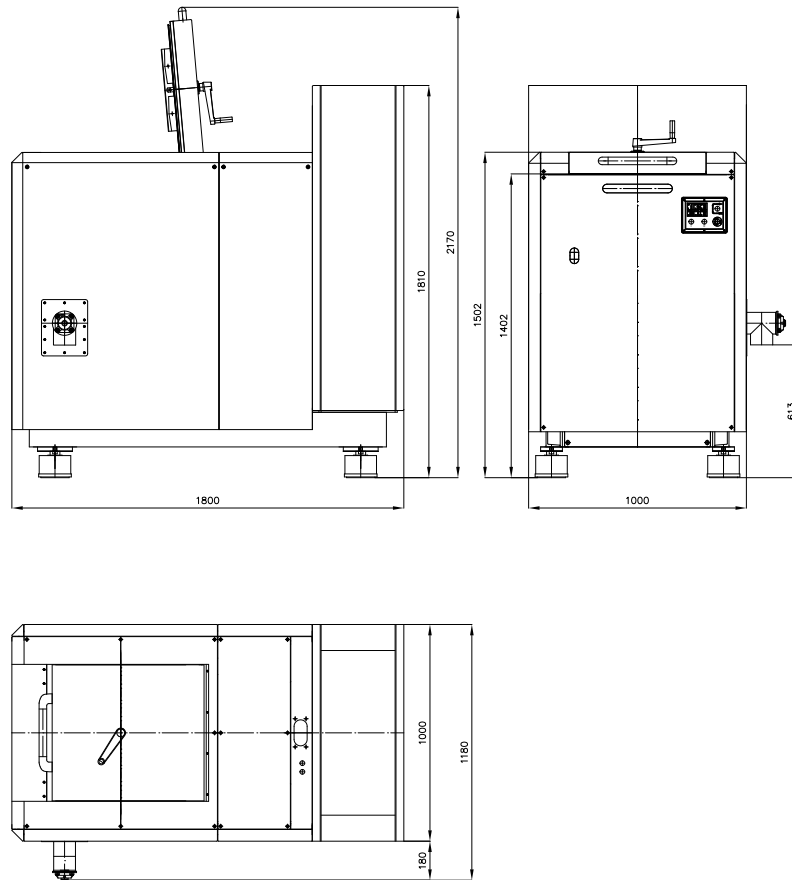


MARPOL Annex V - Prevention of Pollution by Garbage from Ships
Garbage Disposal Plan

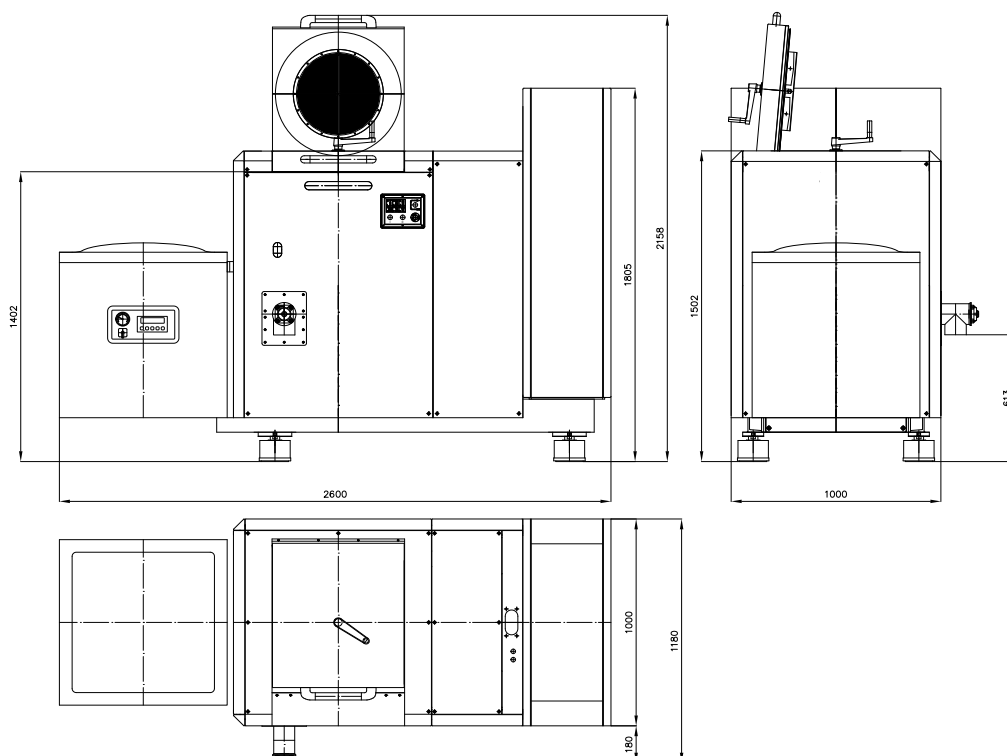


DRAWINGS

LWC 130



LWC130 WITH VACUUM SEALING (OPTIONAL EXTRA)



TECHNICAL DATA

CAPACITY

	Mixed waste	Cardboard	Glass	Plastic	Metal	Food waste
No. of cycles (pcs/h)	3	4	15	4	4	3
Volume (L/cycle)	140	140	140	140	140	30
Volume (L/ h)	420	560	2,100	560	560	90
Volume reduction (%)	80%	80%	90%	80%	95%	80%
Weight reduction (%)	35%	10%	3%	5%	10%	70%

Please note! Values can be varied depending on the type of waste, percentage of waste introduced and humidity conditions.

DATA

Model no.	LWC130
Voltage (V)	440-690
Phase	3
Frequency (Hz)	50-60
Loading (kW)	28
IP Class	54
Width (mm)	1800
Depth (mm)	1000
Height (mm)	1810
Weight (kg)	1600 (incl. control panel)
Noise level (dPa)	82-87
Air inlet (")	1/2
Air pressure (bar)	6
Water inlet (")	1/2
Water pressure min (bar)	4
Water consumption (L/ cycle)	approx. 5
Condensate outlet (")	3/4
Exhaust gas outlet (l)	Vent line DN65 PN10
Water drain pipe (")	3/4 F (connection gravity drain)

OPTIONAL EXTRA - VACUUM SEALING UNIT

A vacuum sealing unit can be installed downstream the LWC-130 to collect processed waste into vacuum packages.

WE MAKE LIFE ON BOARD COME ALIVE!



LOIPART GROUP

Loipart AB (HQ)

Jonsered, Sweden
Phone +46 313 920 100
loipart@loipart.se

LMG Finland OY

Eura, Finland
Phone: +358 40 664 6680
lmg@lmg.fi

Loipart USA Inc.

Fort Lauderdale, USA
Phone +1 954 530 5276
Fax +1 954 530 5543
loipartUSA@loipart.com

Loipart SEA Pte Ltd

Singapore 408731
Phone: +65 674 99 100
Fax: +65 674 99 101
contact@loipart.sg

Loipart Korea Co Ltd

Haeundae-Gu, Busan 48059
Tel: +82 51 626 6363
Fax: +82 52 626 3459
contact@loipart.kr

